

ICS[®]

The Best Thing We Create



ICSEXP

EXP-HOG

ICH SHIVAN ENTERPRISE CO., LTD

WWW.ICSB.COM





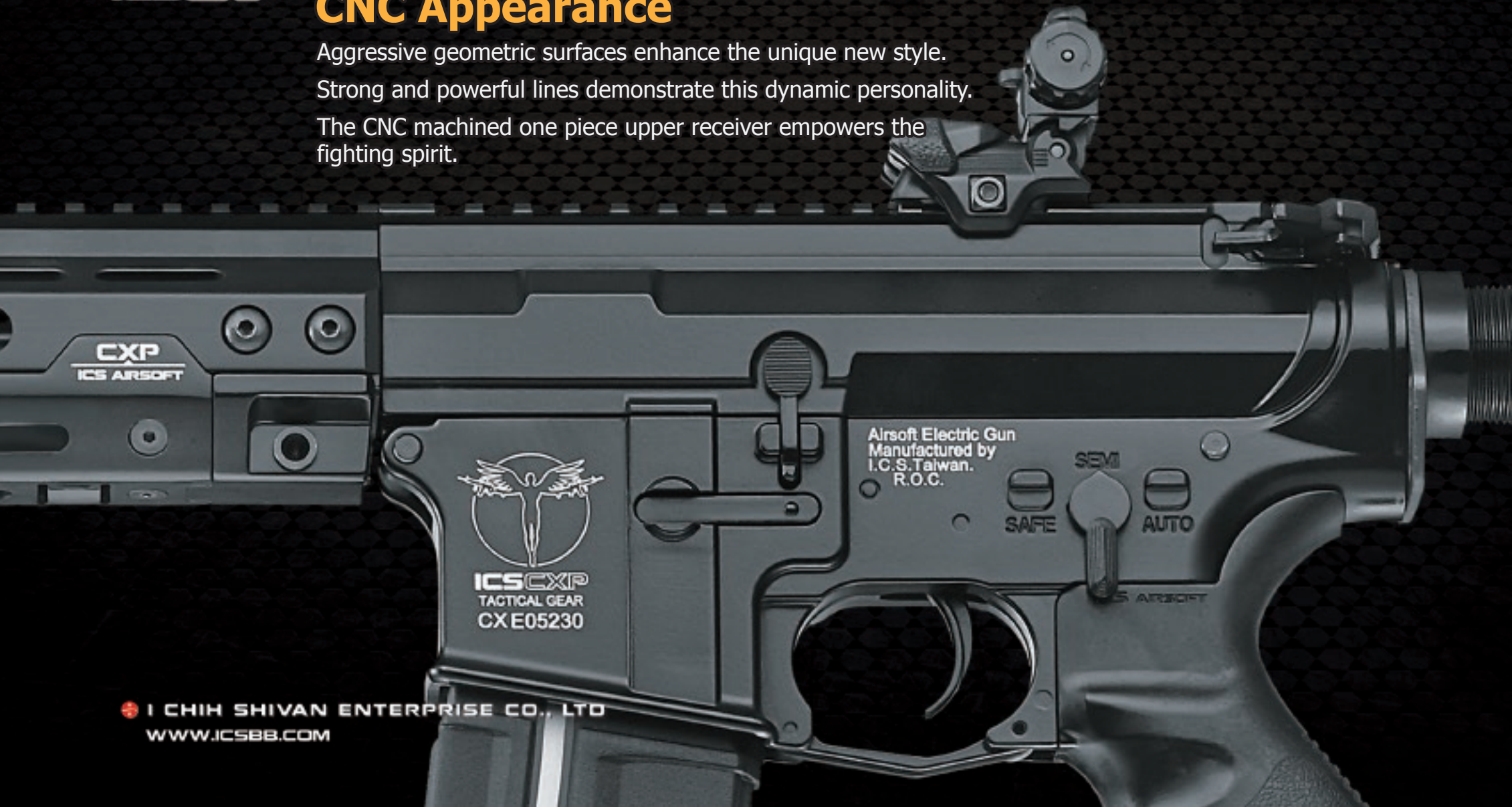
CXP-HOG

CNC Appearance

Aggressive geometric surfaces enhance the unique new style.

Strong and powerful lines demonstrate this dynamic personality.

The CNC machined one piece upper receiver empowers the fighting spirit.



HIGH-OCCUPANCY HANDGUARD=HOG

CXP-HOG, the newly short barrel designed look with modern style. "Hog" is a symbol of strong explosion.



CXP-HOG

ICHIH SHIVAN ENTERPRISE CO., LTD
WWW.ICSB8.COM

Keymod System



To be the comprehensive tactical player, CXP-HOG uses the latest keymod handguard to be the high occupancy system for players installing multiplicity tactical accessories.



CXP-HOG

CHI SHIVAN ENTERPRISE CO., LTD
WWW.ICSB8.COM

Quick-Detach Keymod System

ICS'S newly designed Keymod handguard makes it easy to install the battery. The keymod rail set also allows quick and easy accessory mounting via RIS mounts. Additional RIS rails can be added for even more flexibility.



CXP-HOG

CHIH SHIVAN ENTERPRISE CO., LTD
WWW.ICSB8.COM

Linear Upper Receiver

To distinguish from the M4 style, the CXP-HOG has a more linear style with a sleek CNC machined profile.



CXP-HOG

ICHIH SHIVAN ENTERPRISE CO., LTD
WWW.ICSB8.COM

EBB System

The ICS Electric Blow Back System increases the realistic action of real fire arms without reducing shooting precision and accuracy.



CXP-HOG

ICHIH SHIVAN ENTERPRISE CO., LTD
WWW.ICSB8.COM

Compatibility

The Upper Receiver of CXP-HOG is compatible with CXP-UK1.



CXP-HOG

ICHIH SHIVAN ENTERPRISE CO., LTD
WWW.ICSB8.COM

Battery Stock Tube

CXP-HOG utilizes an all new rear wired gearbox. This incorporates a brand new hidden wire design within the stock tube. It is easy to replace batteries by removing the rear stock. The new hidden wire system keeps the wires protected from damage and allows the gun to look more realistic.



CXP-HOG

CHI SHIVAN ENTERPRISE CO., LTD
WWW.ICSB8.COM

Rubber Block System

The Block system is adjustable to various lengths according to the battery used. This allows the use of different length batteries as well as protecting the battery and connector from accidental damage.



*Rear wired only



CXP-HOG

ICHIH SHIVAN ENTERPRISE CO., LTD
WWW.ICSB8.COM

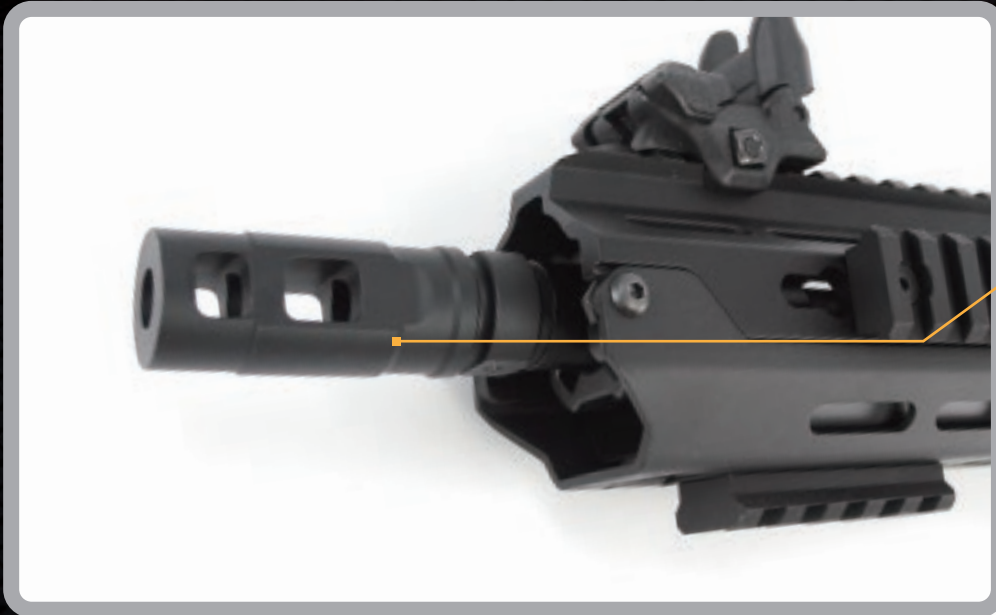
MTR Stock

The MTR stock is comfortable and ergonomic. Its is lightweight and adaptable with a Quick-Detach ring that allows other gear to be equipped.



CXP-HOG

ICHIH SHIVAN ENTERPRISE CO., LTD
WWW.ICSB8.COM



Newly Designed Flash Hider

Compared to the regular AR flash hider, the CXP-HOG is much more exciting.



Flip-Up Sights

Iron sights quickly pop up and fold to deal with a variety of battle situations.



CXP-HOG

ICHIH SHIVAN ENTERPRISE CO., LTD
WWW.ICSB8.COM



T Magazine

The innovative 300-round high capacity magazine provides players maximum firepower. It is specially designed to provide players a quick way to see how many BB's remain in the magazine. The skid-proof magazine shell provides excellent grip for all weather conditions. Players can reload the magazine rapidly and quickly return to the battlefield.



Enlarged Trigger Guard

Enlarged guard design is much more friendly for players wearing gloves.



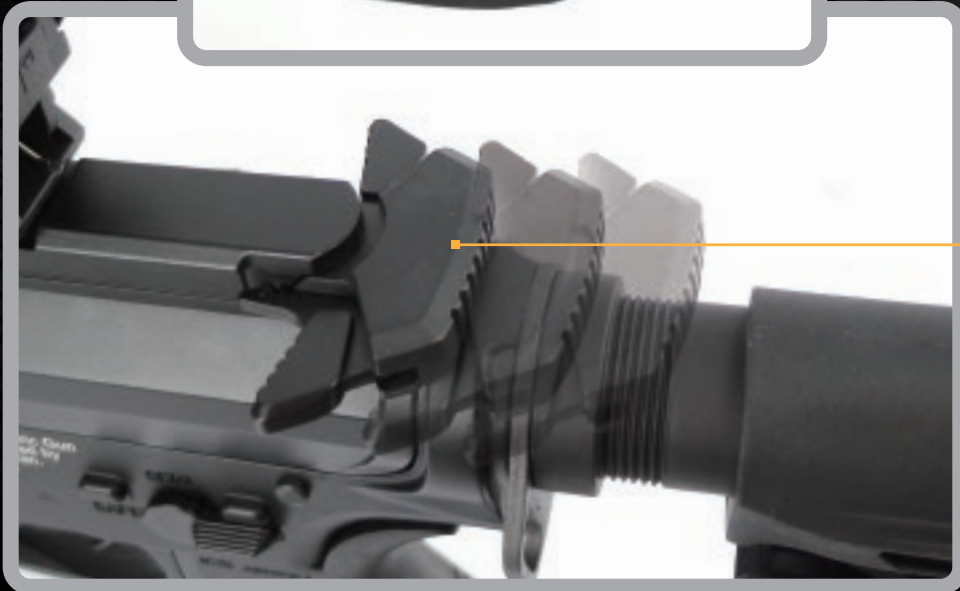
CXP-HOG

CHI SHIVAN ENTERPRISE CO., LTD
WWW.ICSB.COM



Ergonomic Pistol Grip

Easy to use and more comfortable during long patrol missions, the grip also provides more control for intensive combat situations.



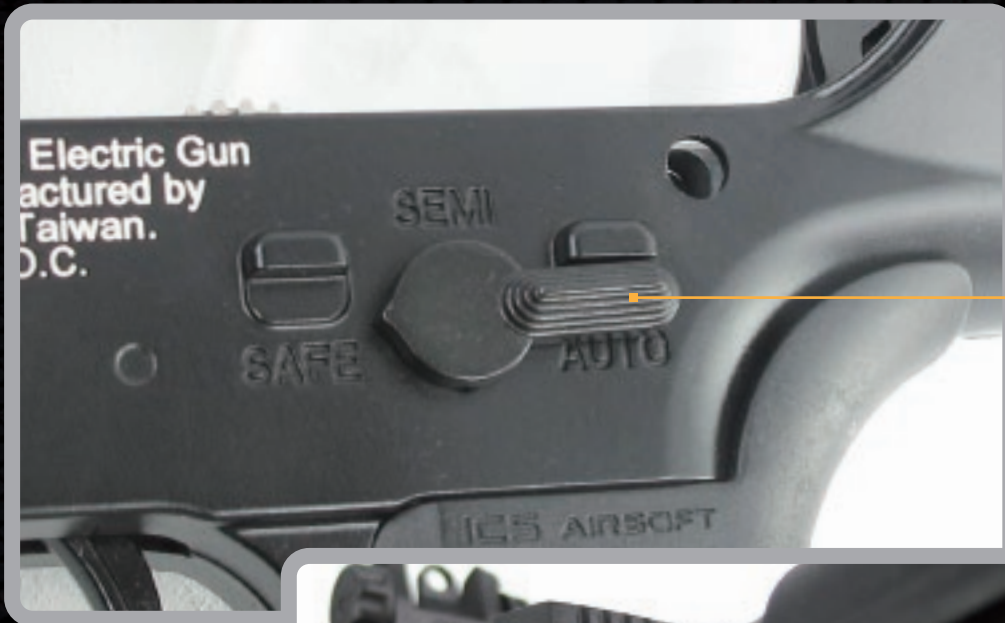
Charging Handle

Ambidextrous operation design is convenient for both right-handed and left-handed players.



CXP-HOG

ICHIH SHIVAN ENTERPRISE CO., LTD
WWW.ICSEXP.COM



Spring Release Function

The ICS Spring Release actively protects the spring, piston and your airsoft investment. This innovative design integrates the safety selector lever and the spring release function. The spring is automatically released when you select Safe on the selector switch.



Sling Mount

Double sided ring, sling can be attached from either side.



CXP-HOG



Split Gearbox

Consistent with ICS superior design, the gearbox is easy to disassemble and convenient to maintain and repair.



Super Durable

Factory installed upgraded reinforced piston, metal hop up unit, reinforced MIM pinion, and bevel gear. These features allows the gun to operate smoothly and reliably.



EXP-HOG

CXP-HOG

- Gun Length : Front Wired 700mm (795mm)
Rear Wired 720mm (795mm)
- Barrel Length : 261mm
- Weight : 3000g
- Muzzle Velocity: 120 m/s (395fps)
- Battery Type : Li-Po 11.1V 1000mAh
- Magazine : MA-186 T Hi-cap magazine
- Mag. Capacity : 300 rounds
- Motor : Turbo 3000 long pin
- Spring : M120
- Material : Metal

1. Battery type is recommended, not included.
2. For AEG with M100 spring, it is recommended to use voltage 7.4V Li-Po or 9.6V Ni-Mh batteries only.
3. For different requirements and regulations in various market and area, the specifications may be revised on demand, and the AEG actually fetched shall prevail.



ICS-270 (Front Wired)

ICS-271 (Rear Wired)



IMT-270-1 (Front Wired)

IMT-271-1 (Rear Wired)



CXP-HOG